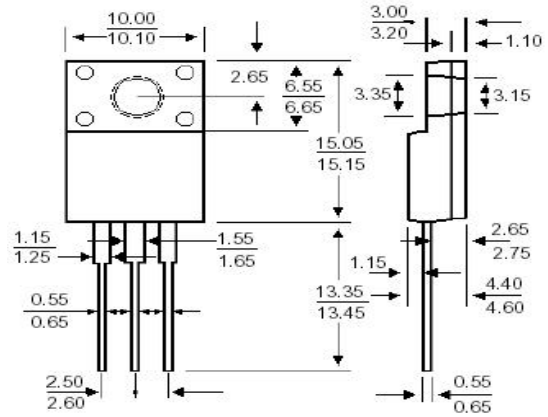
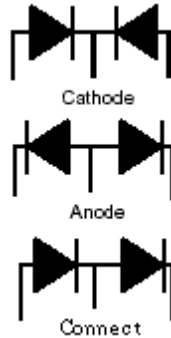
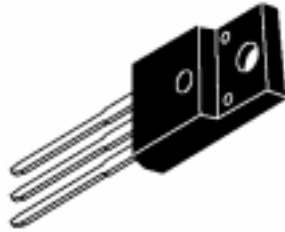


VFF10C05G~70G Series

Description

Dechanical Dimensions



ITO-220AB

DIMENSION IN MM

FEATURES

- High Current Capability
- High Surge CURRENT CAPABILITY
- HIGH RELIABILITY
- LOW FORWARD VOLTAGE DROP
- Suffix C mean Common Cathode

MECHANICAL DATA

- Meets UL Specification 94V-0
- HIGH TEMPERATURE SOLDERING QUARANTEE
- 250 /10SEC
- Suffix A mean Common Anode
- Suffix D mean Double Connect Type

Maximum Ratings And Electrical Characteristics (Ta=25)

Parameters	Symbol	VFF10CXXG								
		05	10	20	30	40	50	60	70	
Max Average forward current, at Tc =100	IF	10A								
Max Repetitive Peak Reverse Voltage	VRRM	50	100	200	300	400	500	600	800	
Max RMS Voltage	V RMS	35	70	140	210	280	350	420	560	
DC Blocking Voltage	VDC	50	100	200	300	400	500	600	800	
Forward Voltage @IF= 5.0A	VF	1.0V		1.3V		1.70V				
Non-Peak Forward Surge Current, @Rated Load Conditions 8.3mS 1/2 Sine-Wave	IFMS	125A								
Max reverse recovery Time (Note 1)	Trr	50ns					75ns			
Max. Reverse Current IR At Rated DC Reverse Voltage. Tc =25/125	IR	5uA 150uA								
Typical thermal Resistance,	R JC	4.0 /W								
Typical junction capacitance (note 2)	Cj	80pF				60pF				
Operating and Storage Temperature Range	To/Ts	-65 to +150								

Note 1: Reverse Recovery Test conditions: If=0.5A, IR=1.0A, Irr=0.25A

Note 2: measured at 1 MHz and Applied reverse voltage of 4.0V D.C.

